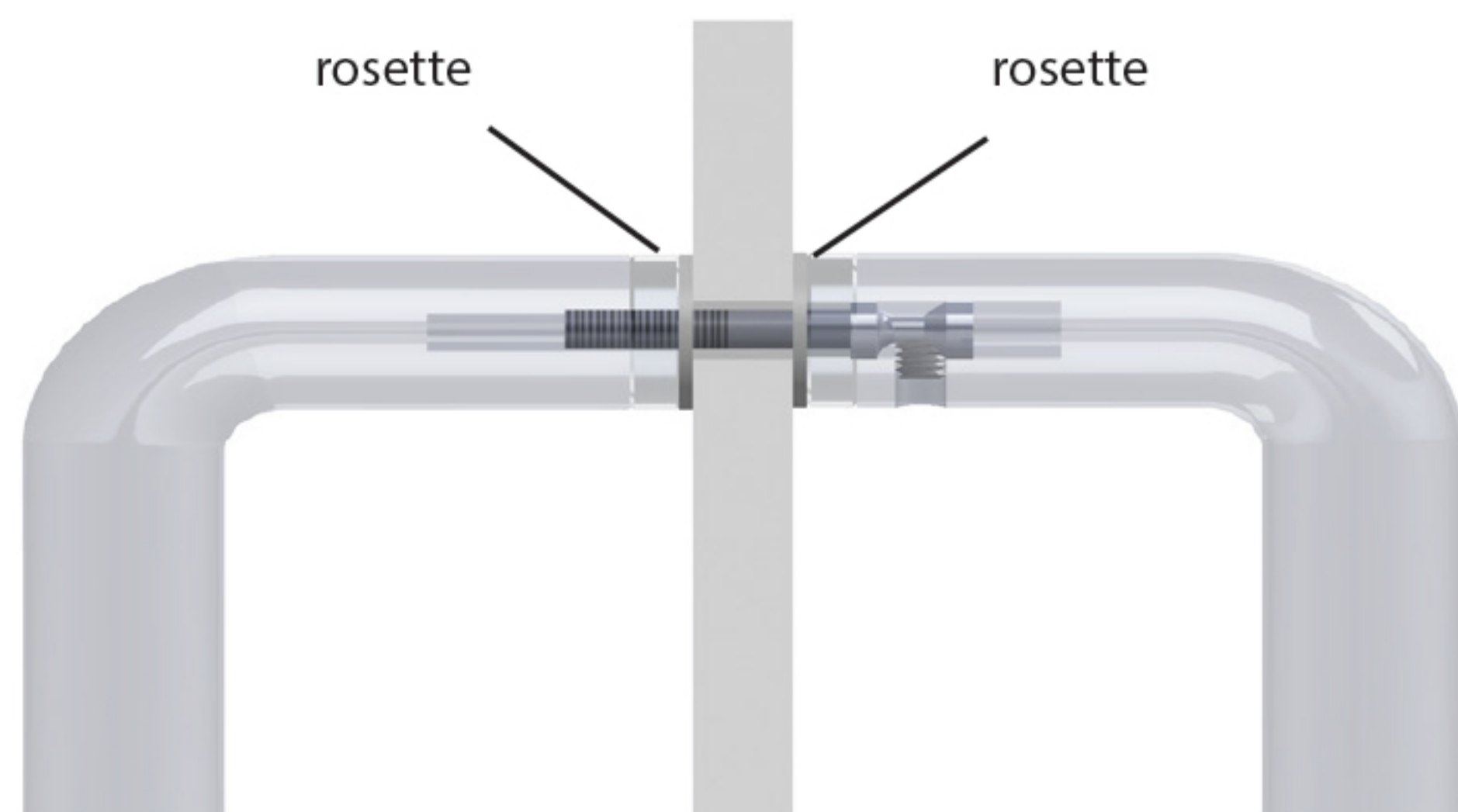
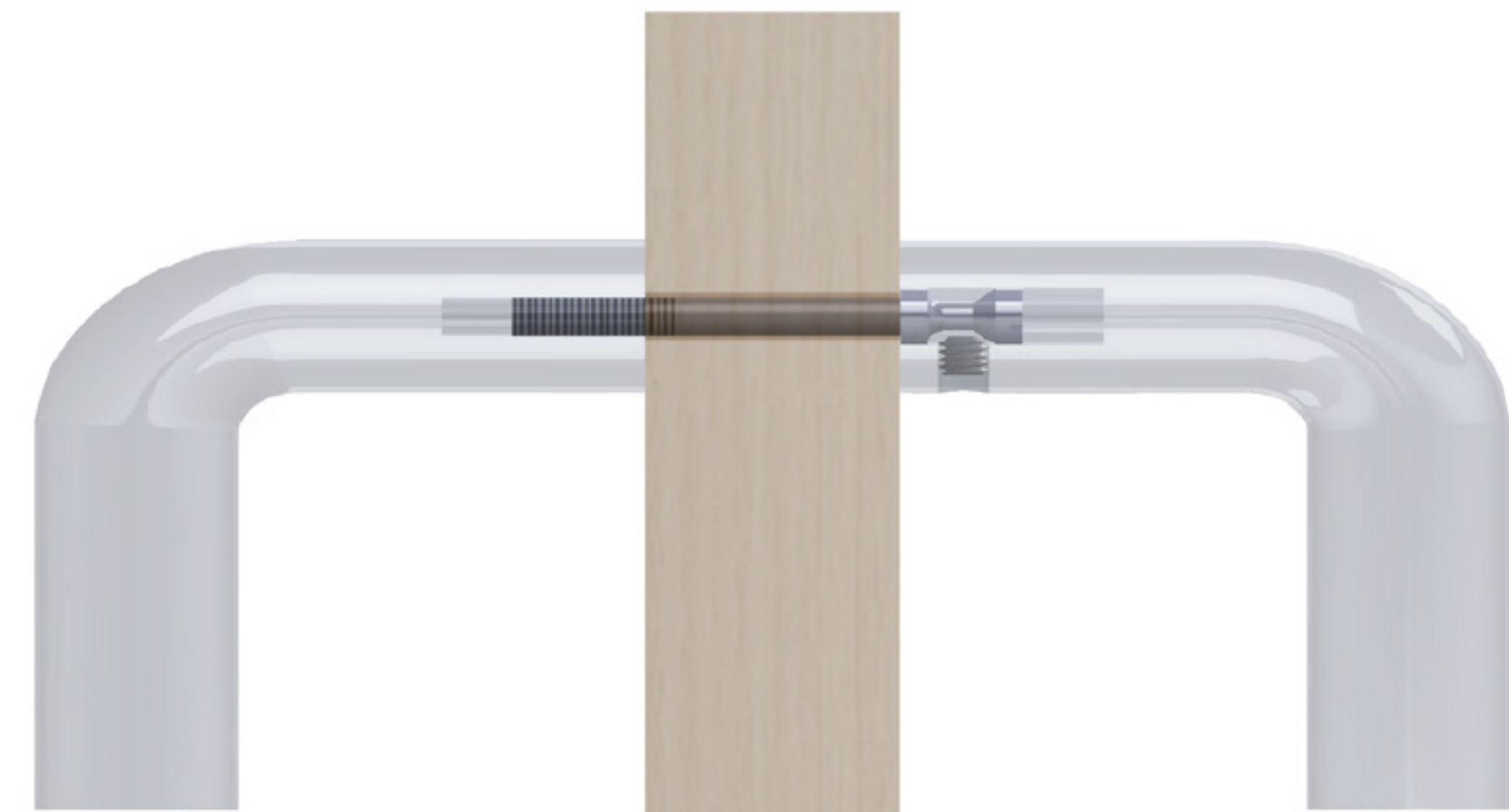


BACK-TO-BACK (BTB)

A- FOR GLASS (G) DOOR - \$65 Upcharge

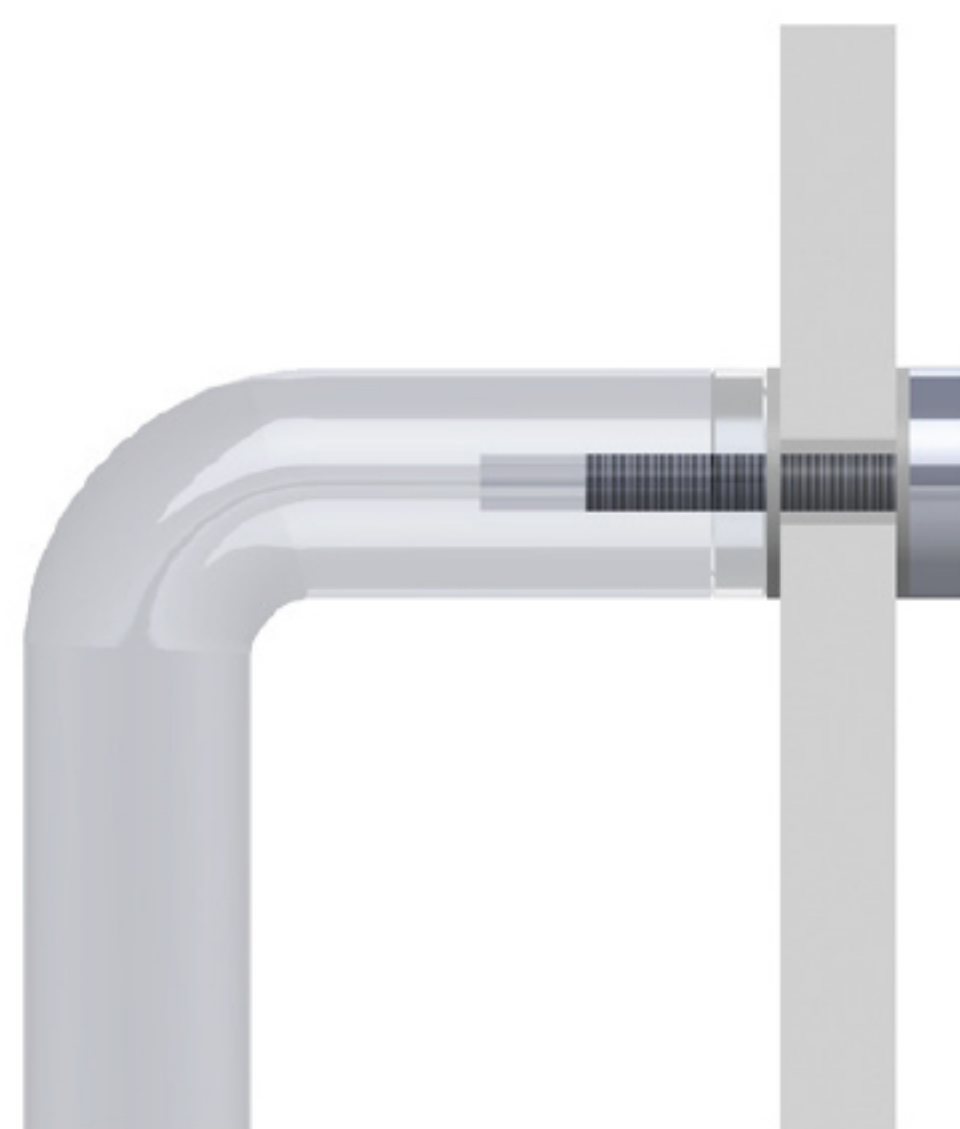


B- FOR WOOD (W) & METAL (M) - \$65 Upcharge



THRU-BOLTED (TB)

C- FOR GLASS (G), (W) WOOD,
OR METAL (M) DOOR - \$25.00 Upcharge
SCREW CAP COVER OPTION



D- FOR WOOD (W)
OR METAL (M) DOOR
PAN HEAD OPTION



SURFACE MOUNT (SM)



DRILLING DETAILS

FOR GLASS DOOR
1/4-20 Bolt = 3/8" Hole

FOR WOOD & METAL DOOR
1/4-20 Bolt = 1/4" Hole
3/8-16 Bolt = 3/8" Hole